

## DESCRIPTION

FC2507 is an RF-to-baseband tuner IC, a triple-band (FM/Band-III/L-Band) chip of FCI's airRF™ family. It is a highly integrated component working with a single 1.8V power supply for core. I/O interface is working with 1.8V or 3.3V power supply. Because low-IF architecture is used for FC2507, additional components such as bulky IF SAW filter and other IF matching components are no longer required. 2-wired serial-to-parallel interface protocol enables FC2507 to operate in various frequency bands. FC2507 contains LNA, down-conversion mixer, channel selection filter (CSF), VCO, and LO distribution network for each band such as FM, Band-III, and L-Band. FC2507 also features analog FM reception with integrated FM filter. FC2507 is available in a 6mm x 6mm 40-pin MLF package.

## APPLICATIONS

- Band-III/L-Band/FM T-DMB mobile phone.
- FM Radio application
- FM, Band-III, L-Band DAB applications
- FM, Band-III, L-Band DMB applications

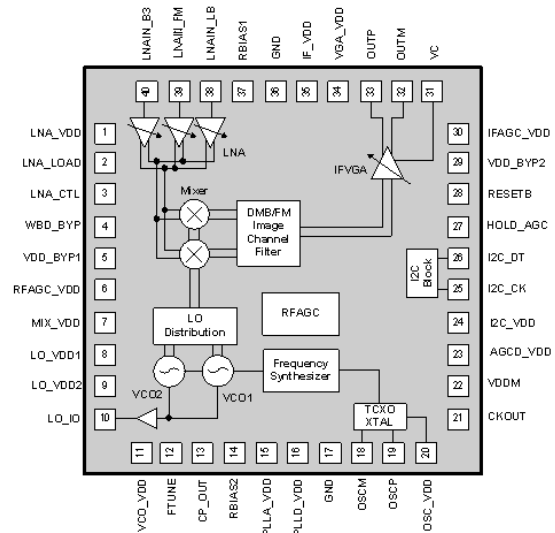
## REVISION HISTORY

- Preliminary version datasheet release: Jan, 16, 2008

## FEATURES

- Complete receiver front-end for low-IF FM, Band-III, L-Band TV tuner system
- Integrated triple-band LNA
- Integrated triple-band down-converting mixers and CSF
- Low-IF image reject RF front-end
- Automatic DC-offset calibration
- Integrated T-DMB/DAB image reject and channel select filter with self-calibration
- Integrated FM image reject and channel select filter with self-calibration
- Fully integrated triple-band VCO
- Support 2-wired interface protocol
- 6mm x 6mm 40pin small leadless package

## PIN CONFIGURATION



For latest specifications, technical questions and additional product information, visit website or e-mail

FCI Inc.  
11<sup>th</sup> Floor, Kins Tower, 25-1  
Jeongja-Dong, Bundang-Gu,  
Sungnam City, Gyunggi-do,  
463-811, KOREA

Website: <http://www.fci.co.kr>  
E-mail: [info@fci.co.kr](mailto:info@fci.co.kr)  
Phone: 82-31-711-6444  
Fax: 82-31-714-6576